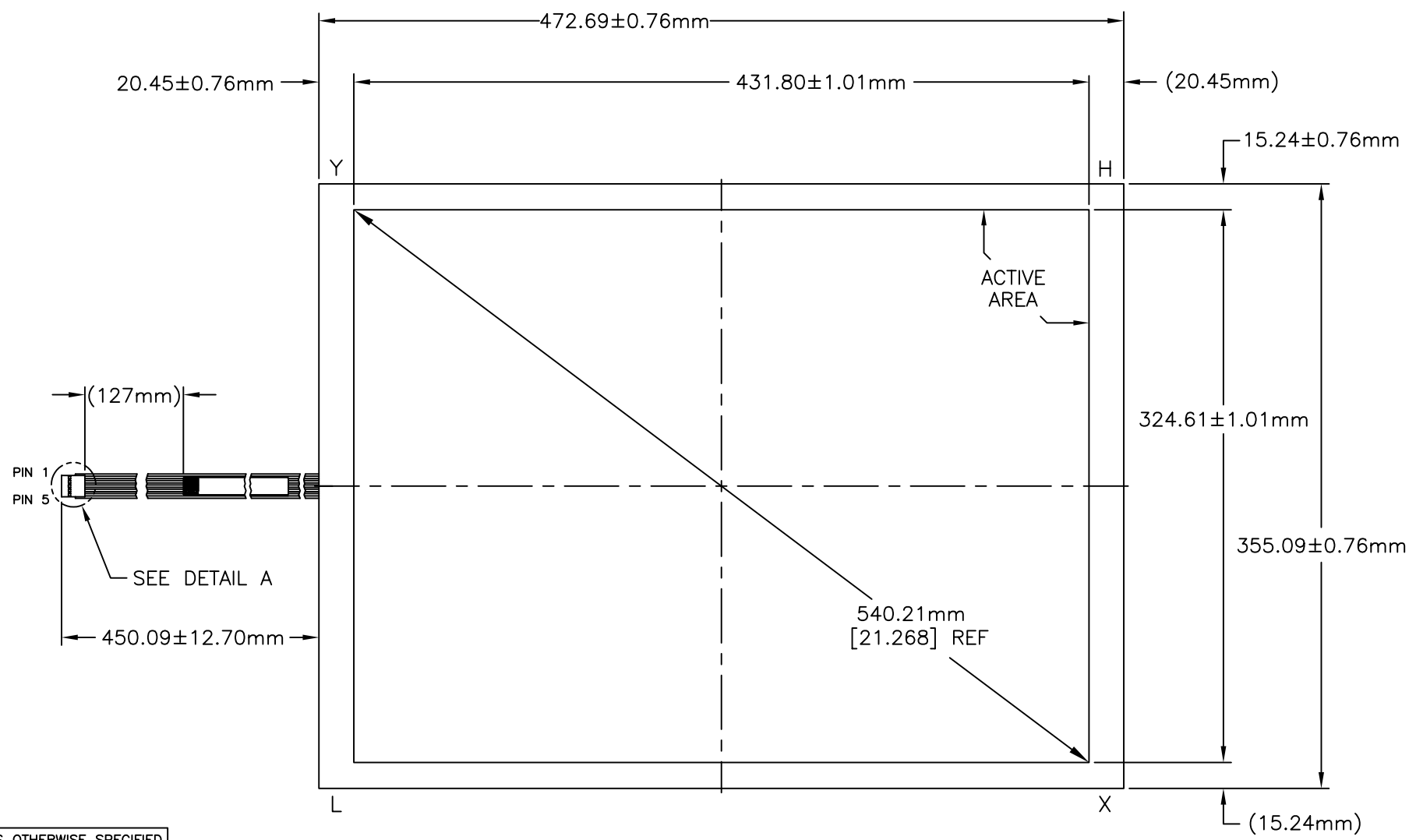
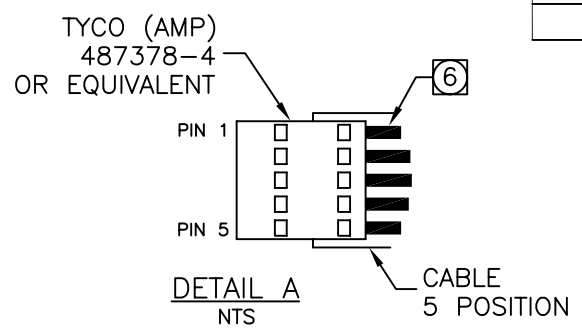


CONNECTOR PINOUT	
PIN NO.	DESIGNATION
1	H
2	X
3	S
4	Y
5	L

ACCUTOUCH® TOUCHSCREEN
 SCN-A5-FLT21.3-001-OH1-R
 ELO P/N: E073119

NOTES:

- GLASS THICKNESS 3.18mm NOMINAL.
- FINISHED PART THICKNESS 3.48mm NORMAL.
- FINISHED PART THICKNESS AT CABLE ATTACHMENT AREA 4.24mm MAX.
- Ⓞ LABEL TO BE ATTACHED TO FRONT SIDE OF CABLE.
- CABLE IS ATTACHED TO THE LEFT SIDE OF TOUCHSCREEN AT CENTER POINT AS SHOWN.
- Ⓞ PIN 1 TO BE LOCATED AS SHOWN (SEE DETAIL A).



UNLESS OTHERWISE SPECIFIED
 DIMENSIONS ARE IN mm

