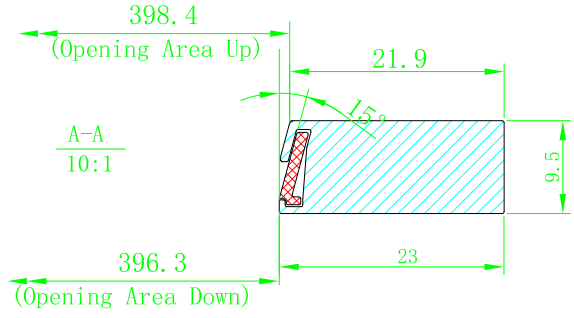
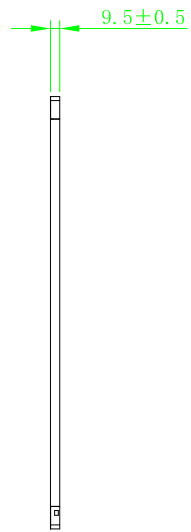
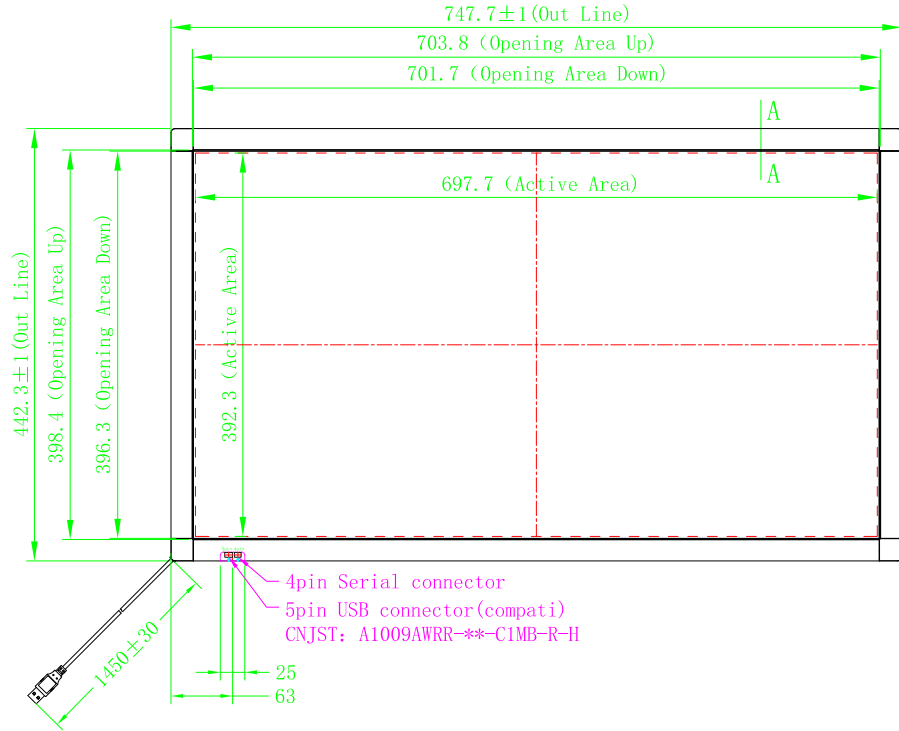


LOGO	REV.	Date	Changes
△			
△			
△			



注：未注公差±0.2mm

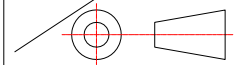
A-A
10:1

4pin Serial connector
5pin USB connector(compati)
CNJST: A1009AWRR-**-C1MB-R-H

TOLERANCES
(UNLESS OTHERWISE STATED)

DECIMALS	ANGLES	±0.5°
>2000mm	±2.00mm	
1600 < x ≤ 2000mm	±1.20mm	
1200 < x ≤ 1600mm	±0.80mm	
800 < x ≤ 1200mm	±0.50mm	
400 < x ≤ 800mm	±0.40mm	
120 < x ≤ 400mm	±0.30mm	
30 < x ≤ 120mm	±0.20mm	
≤ 30mm	±0.10mm	

THIRD ANGLE PROJECTION



广州华欣电子科技有限公司
GUANGZHOU HUAXIN ELECTRONIC CO.,LTD.

MODEL NO.	FC系列	SCALE	1:1	NOTES:
PART No.	FC315WH00DL-CT-B2	REV.	1.0	
PART NAME	产品尺寸图	SIZE	FREE	
UNIT	mm	SHEET	1/1	
MATERIAL		CHK'D		
SURFACE		APP'D		
DRAWN				