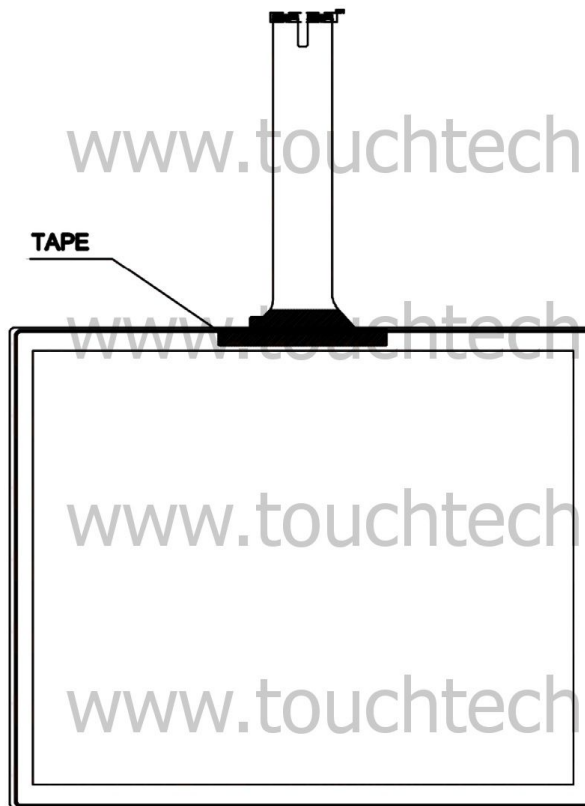
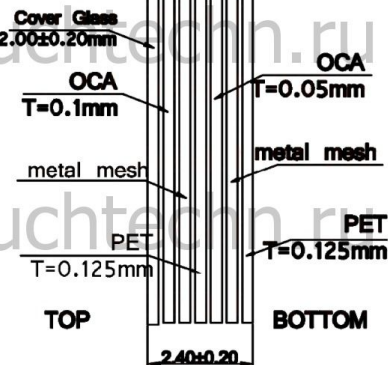


Front view

Ink On Back Side T7
Color: Pantone Black C



PCB Pin Assignment

PIN NO.	DESIGNATION
1	EGND
2	VCC
3	GND
4	D+
5	D-

FPC Pin Assignment

PIN NO.	DESIGNATION
1	GND
2-41	TX1-TX40
42-43	GND
44-63	RX1-RX50
64	GND

Confirm By:

Checked By:

Drawn By:

THIRD ANGLE
PROJECTION



Drawing Date:

Unit: mm

Tolerances: ±0.20

Page: 1 of 1

Customer NO:

Product NO: