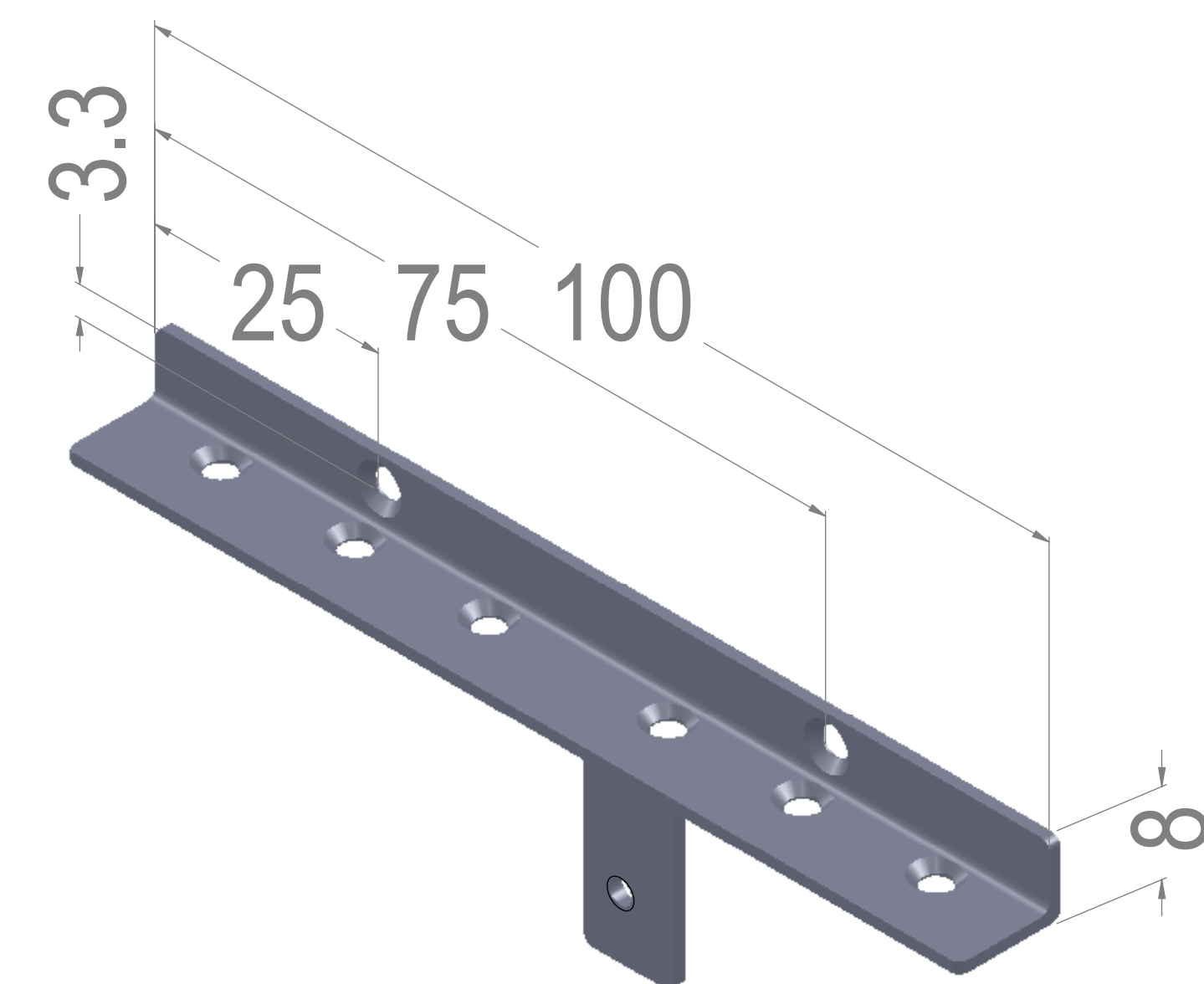



S	199.19/5059.45
L1	4865.4
L2	4907.2±0.2
W1	1387.8
W2	1429.6±0.2
T	12.3
H	2



	Projection		ShenZhen K&JAD Technology Co.,Ltd			
	Material:	Unit: MM	Date: 2013.05.08	Size: A0	Rev:	
	Censor:		Serial:			