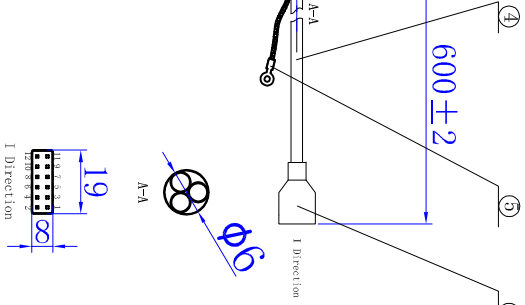


注 (NOTE) :

- 有效触摸区尺寸: 518×324  
Active Area Dimensions: 518×324  
可视区尺寸: 518×324  
Viewable Area Dimensions: 518×324  
外形尺寸: 567×373  
Outline Dimensions: 567×373
- 部件说明 (PARTS SPECIFICATION):  
① 工艺孔 (Technics Hole)  
② 防尘框, 材料: 铝合金 (Dust-proof Frame, Material: Aluminum)  
③ 触摸屏体, 厚度: 4 (Touch-panel, Thickness: 4)  
④ 屏线, 直径6 (Data Cable, Φ6)  
⑤ 接地线。 (Ground Cable)  
⑥ 屏线插头 (Housing Of Data Cable)
- 所有尺寸为设计尺寸, 单位是mm, 未注公差为±0.5。  
All dimensions are in millimeters, the unspecified dimension tolerances are plus/minus 0.5



I Direction		Insulation Color
Pin	Signal	Overall Shield
1	Overall Shield	
2	Y + Receive	BLUE
3	Y - Receive	BLUE
4	Y Transmit	BLACK
5	Y - Receive	YELLOW
6	Y Ground	
7	Shield	
8	X Ground	GREEN
9	X+Receive	WHITE
10	X Transmit	RED
11	X-Receive	RED
12		

Unmarked Tolerance		Shenzhen Keetouch Electronic Co., Ltd	
From (mm)	To (mm)	product	Drawing No.
0	10	0240-4BP-169AL	KT-PL-072
10	50	Specs	Part No.
50	100	Drawing/Date	Unit
100	∞	Check/Date	Scale
∞	∞	Approve/Date	Free
100%以上		Total X 1 P X 1 P	