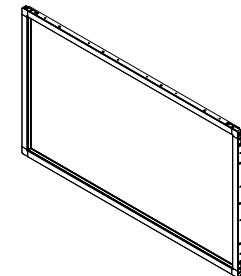
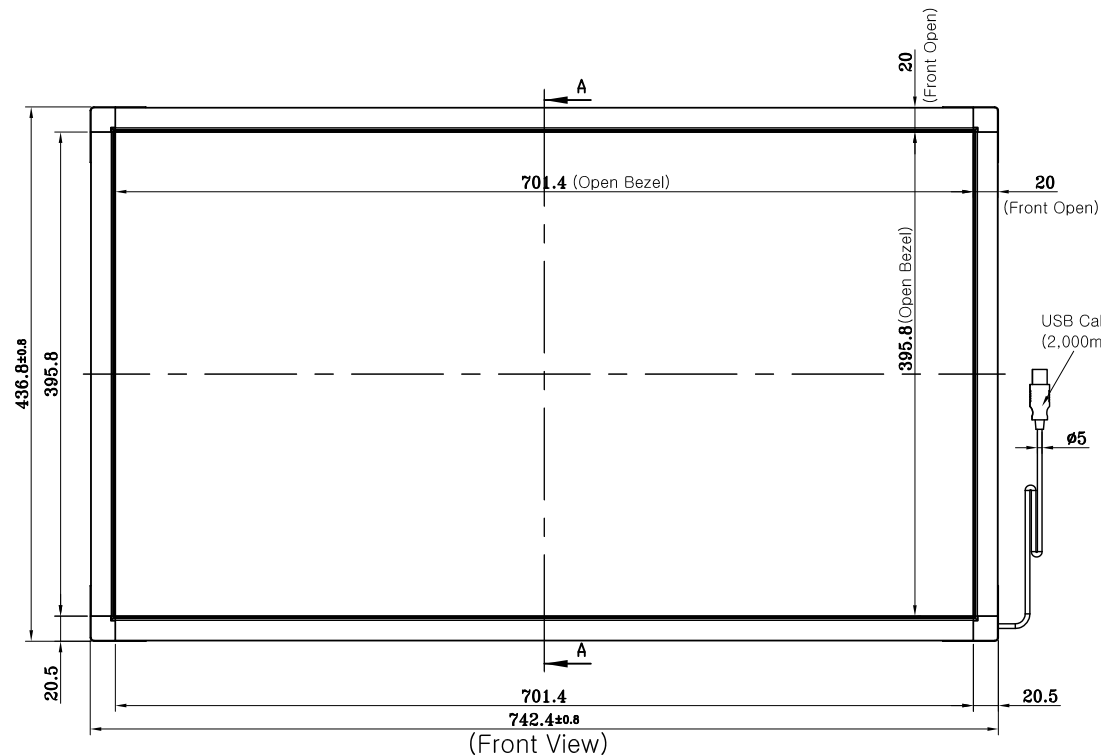


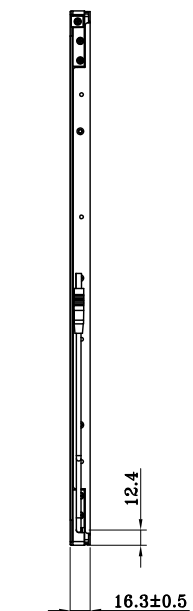
REVISION NO.	DESCRIPTION	DATE
V 1.0	Issued First	2012.12.03
V 1.1	ATI Corner Cover, ATI Corner 금형 수정	2013.01.22



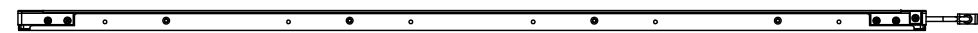
Isometric View



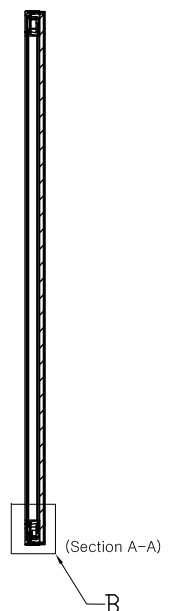
(Front View)



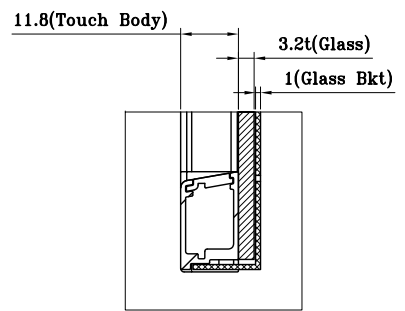
(Side View)



(Bottom View)



(Section A-A)



(Detail B)
Scale 4/1

Model No.	ATI					Product No.	ATI0320-06HI-AGSI-32HF-SG									
Part No.	NAI - 032006A					Q'ty	1									
TOLERANCE (±MM)	Dim.	0	6	30	120	400	1000	PROJECTILE SCALE	UNIT	SIZE	DATE					
	Class	-6	-30	-120	-400	-1000	-2000									
	A	0.05	0.1	0.15	0.2	0.3	0.5					3RD ANGLE PROJECTION	1/3	mm	A2	2013.01.22
	B	0.1	0.2	0.3	0.5	0.8	1.2									
	C	0.3	0.5	0.8	1.2	2	3	DRAWING NAME	ATI0320 SET							
	DESIGNED	CHECKED			APPROVED			DRAWING NO.	ATI0320 - 001							
	MJ CHOI			DS LIM			SHEET NO.	SHEET 1 OF 1								