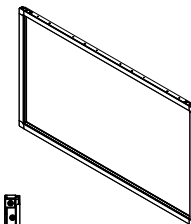
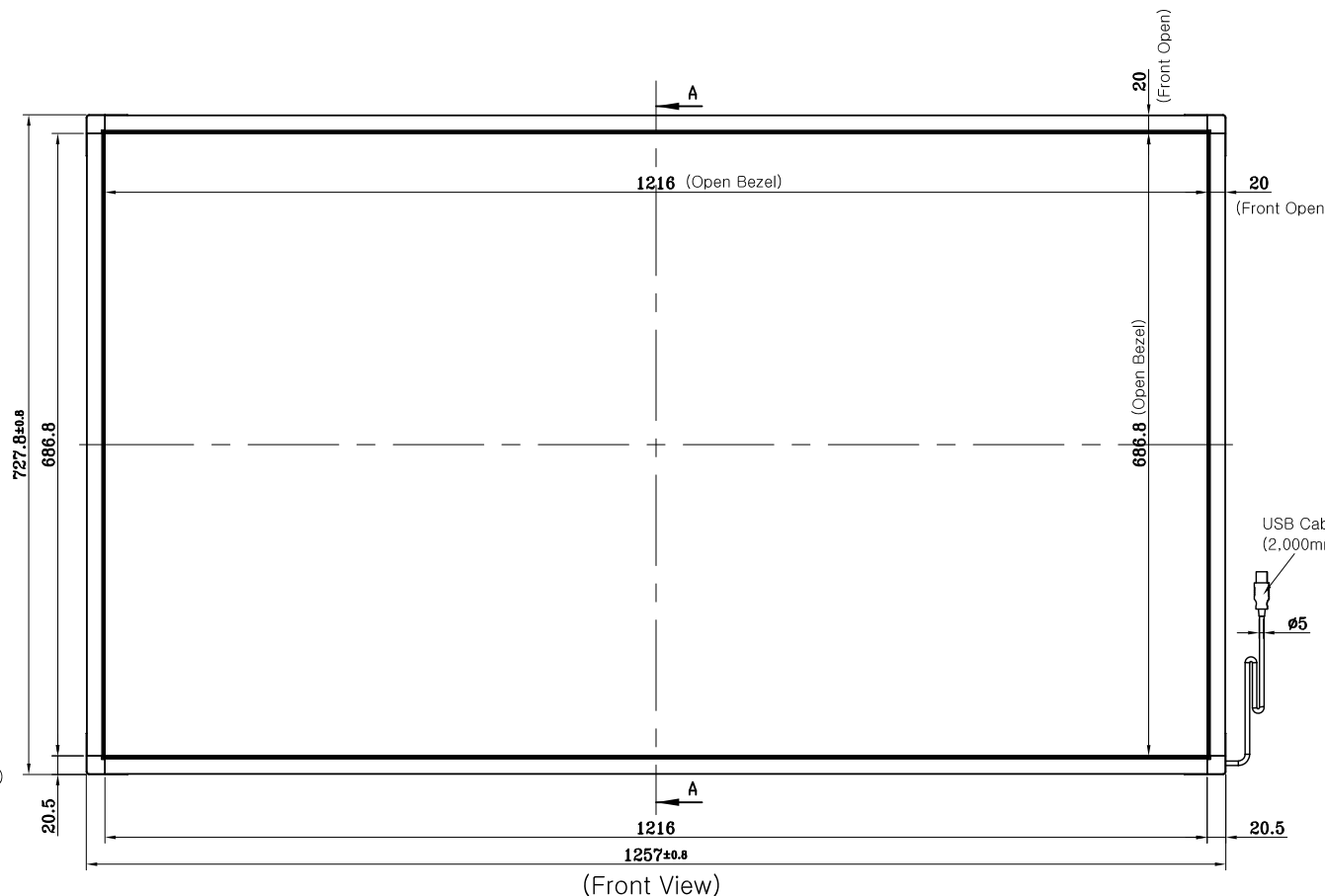


REVISION NO.	DESCRIPTION	DATE
V 1.0	Issued First	2012.12.03
V 1.1	ATI Corner Cover, ATI Corner 금형 수정	2013.01.22

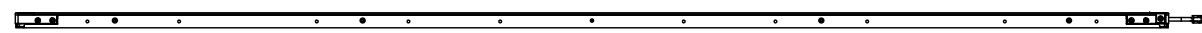


**Isometric View**

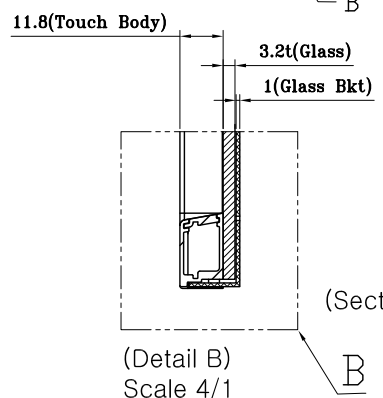


(Front View)

(Side View)



(Bottom View)



(Detail B)  
Scale 4/1

(Section A-A)

Model No.	ATI				Product No.	ATI0550-06HI-AGSI-32HF-SG										
Part No.	NAI - 055006A				Q'ty	1										
TOLERANCE (±MM)	Dim.	0	6	30	120	400	1000	PROJECTILE SCALE	UNIT	SIZE	DATE					
	Class	-6	-30	-120	-400	-1000	-2000									
	A	0.05	0.1	0.15	0.2	0.3	0.5					3RD ANGLE PROJECTION	1/4	mm	A2	2013.01.22
	B	0.1	0.2	0.3	0.5	0.8	1.2									
C	0.3	0.5	0.8	1.2	2	3										
DESIGNED				CHECKED				APPROVED								
MJ CHOI				DS LIM				DRAWING NAME				ATI0550 SET				
								DRAWING NO.				ATI0550 - 001				
								SHEET NO.				SHEET 1 OF 1				