

DOCUMENT NUMBER AND REVISION

QA-141230-03 / Rev. 0.0

DOCUMENT TITLE
SPECIFICATION OF ATI0460

ITEM	INFRARED TOUCH SCREEN
MODEL	ATI0460
NEXIO PRODUCT NO.	ATI0460-XXHI3-AESI-XXXX-SG
CUSTOMER PRODUCT NO.	-
CUSTOMER	-
DATE	2014. 12. 30

APPROVED BY CLIENT

APPROVED BY NEXIO	
PROPOSER	KIM S. S .
REVIEWER	KIM L. H.
APPROVER	KIM K. S.

**Nexio Co., Ltd.**

5F, Seong-Woong B/D, 898-3 Jakjun-dong,
Gyeyang-gu, Incheon, Korea

Tel : +82 32 556 9545 ~ 7

Fax : +82 32 556 9544

CONTENTS

1. DOCUMENT REVISION HISTORY	3P
2. TOUCH SPECIFICATIONS	4P
3. MECHANICAL SPECIFICATIONS	4P
4. STANDARDS	4P
5. OPERATING SYSTEMS	5P
6. ELECTRICAL SPECIFICATIONS	5P
7. ENVIRONMENT CONDITIONS	5P
8. CONTROLLER	6P
9. USB INTERFACES	6P
10. DRAWING SPECIFICATIONS	6P
11. PACKING SPECIFICATIONS	7P

1. DOCUMENT REVISION HISTORY

Date	Rev. No	Page	Description
2014.12.30	0.0	-	Specification of [ATI0460-XXHI3-AESI-XXXX-SG] was issued first.

2. TOUCH SPECIFICATIONS

Touch panel size	46 inch
Multi touch point	6 points up to 10 points
Supported OS	Window7, Window8, Android, Linux
Touch Input Method	Pen, Finger, Finger of gloved hand Activation
Touch Activation Force	No minimum touch activation force
Response Time	7ms(1point) < Time < 12ms(10Point)
Optics Cell Pitch	5.7mm ± 0.2mm
Touch Accuracy	Within 2.0mm
Optics Number	179(H) x 101(V)
Available Object Sizes for Touch	Touch : Ø 7 mm, Drawing : Ø 8 mm
Anti Sunlight	Normal touch sensing from upper side 50cm/500W Halogen lamp.
Touch Durability	Unlimited
Warranty	1 Year

3. MECHANICAL SPECIFICATIONS

Housing	Aluminum, Black
Touch Size (Out line)	1063 ± 0.8(W) x 617.6 ± 0.8(D) x 11.8 ± 0.5(H) (mm)
Useful Screen Area	1022(H) x 576.6(V) (mm)
Weight (NET/GROSS)	980g / 7,640g
Glass	Option (Custom versions available on request)
Packing Size	1,220(W) x 240(V) x 740(H) (mm) (3EA in a package)

4. STANDARDS

ITEMS	SPECIFICATION
RoHS	Compliant with restriction of hazardous substances directive 2002/95/EC and additional RoHS 2.0 requirements
ESD handling	IEC61000-4-2 - Contact : Level 2 - Air : Level 4
REACH standard	Compliant with the registration, evaluation, authorization and restriction of chemical substances - EC1907/2006

5. OPERATING SYSTEMS

	Mouse (single)	Digitizer (multi)	Gestures	Plug & Play	Optional SW Packages
Win 8 ⁽³⁾	O	O	O	O	
Win 7 & Embedded	O	O	O	O	
	※ Notice : have to install with service package1 in Windows 7				
Win XP & Embedded	O	X	O ⁽¹⁾	O	
Mac OSX	O	O ⁽²⁾	O ⁽²⁾	O	O ⁽²⁾
Linux	O	O	O (Kernel 3.9 over)	O (Kernel 3.9 over)	O
Android	O	O	O (Kernel 3.9 over)	O (Kernel 3.9 over)	O
Chromebook	O	O	O (Kernel 3.9 over)	O (Kernel 3.9 over)	O
Functions	<i>Click, Drag, Double-Click</i>	<i>Mouse Functions, Right-Click, Flicks, Panning with Inertia</i>	<i>Mouse & Digitizer Functions, Press & Tap, Rotate, Zoom In/Out</i>		<i>Calibration, Rotation, USB-Downloader, Diagnostics</i>

*** Operating Systems Not Supported: Windows 2000 and earlier versions**

- (1) Gestures can be supported by some program. (MS-Office, Internet-Explorer, etc, ...)
- (2) Driver install needed.
- (3) Touch performance might be limited by OS type and compatibility.

6. ELECTRICAL SPECIFICATION

Operating Voltage	DC 4.6V~5.25V
Power Consumption	Max 1.36W(5V, 260 mA)
ESD	Re-operation within 10sec when supplied 4KV Surge in contact, 15KV Surge in air

7. ENVIRONMENT CONDITIONS

Item	Operating Temperature		Storage Temperature		Remark
	MIN	MAX	MIN	MAX	
Ambient Temperature	-10°C	+60°C	-20°C 8 hr Still	+70°C 8 hr Still	Dry
Humidity	Operating Humidity : 0% ~ 80% Storage Humidity : 0% ~ 90%				-
Vibration PCA must be mounted on a suitable connector	Frequency: 10 ~ 55 Hz Amplitude: 0.75 mm Duration: 20 cycles in each direction.				3 directions
Altitude	3,000m				-
Interface	USB1, USB 2.0 Full Speed(12Mbps), USB 3.0				-
Detection Method	Infrared rays				-

8. CONTROLLER : INCLUDED IN TOUCH PANEL

9. CONNECTOR INTERFACES

	Specifications
Power	USB Powered
Protocol	Human Interface Device(HID)
Operation	Plug & Play
Speed	USB 2.0 Full Speed(12Mbps)
Connector	USB 'A' Type Plug

※Notice 1 : Do not set battery mode or power save mode in computer power option.

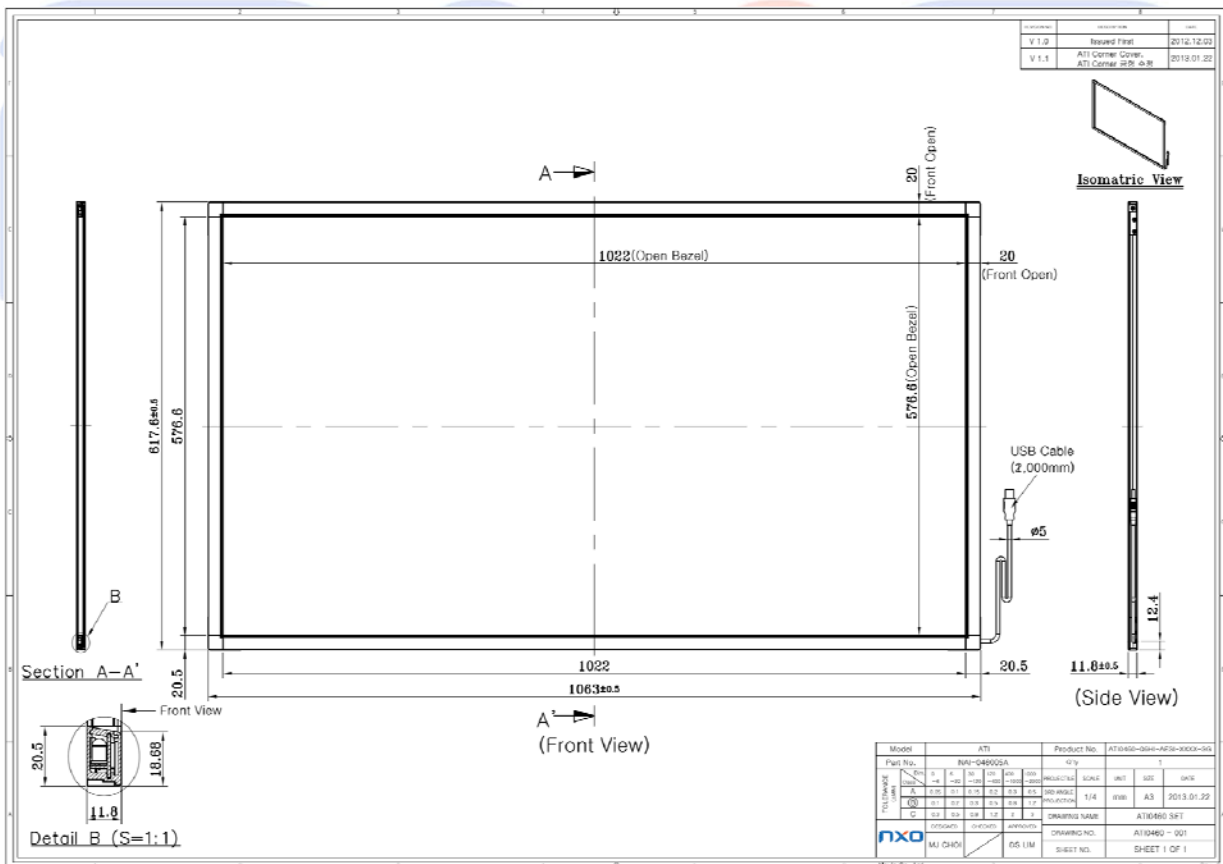
※Notice 2 : The standard of USB communication length is 5M(refer to usb.com)

When you use USB extension Cable, data loss and degradation might be able to be occurred.

In order to minimize data loss and degradation according to USB extension Cable using,

We highly recommend Repeater using to provide external power supply.

10. DRAWING SPECIFICATIONS

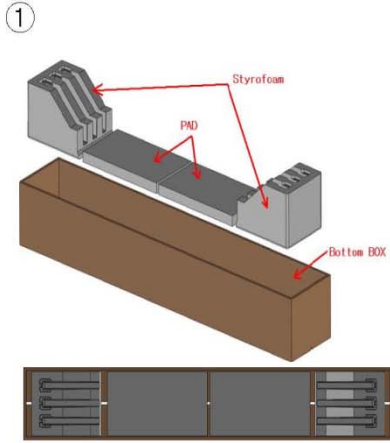


■ Specification is subject to change without prior notice

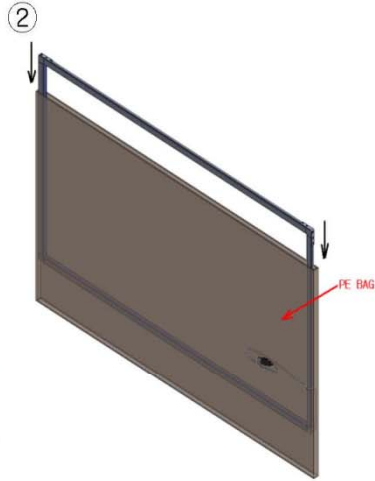
■ Quality Assurance of Nexio products guarantee normal operation on the agreed period of time. However, it does not include in conjunction with third-party products.

11. PACKING SPECIFICATIONS

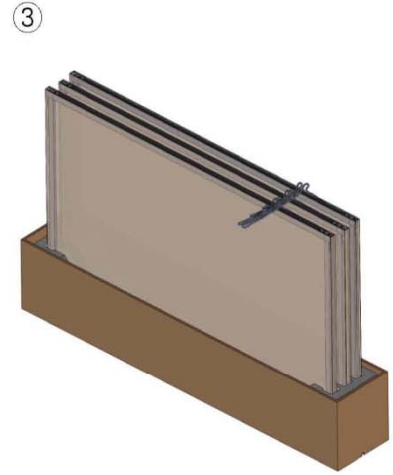
[PACKING SPECIFICATIONS]



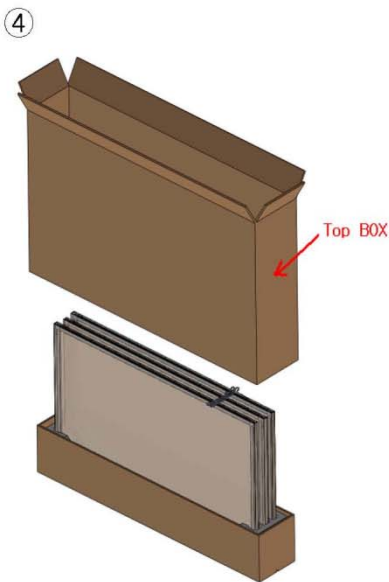
1. 그림과 같이 준비된 Bottom BOX에 Styrofoam과 PAD를 BOX 바닥에 넣는다.



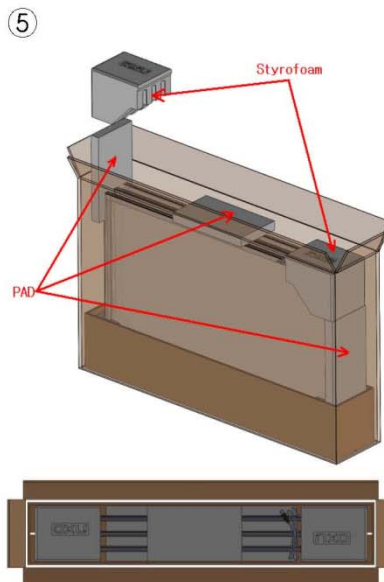
2. 완성된 제품을 PE BAG에 넣고 USB케이블이 PE BAG 밖으로 나올수 있도록 코너부분을 약간 찢어 밖으로 빼낸 후, 남은 PE BAG는 접어서 테이프로 붙여 고정한다.



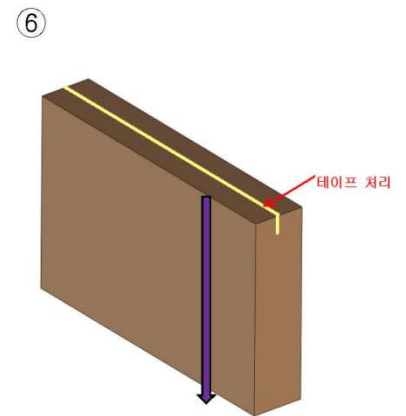
4. 그림과 같이 2번에서 작업한 3개 제품을 Styrofoam에 끼워 넣는다. 이때, 1개 넣은 후 옆으로 쓰러질 수 있으니 주의할 수 있도록 한다.



4. 그림과 같이 준비된, Top BOX를 씌운다.



5. 그림과 같이 Styrofoam과 PAD를 BOX안에 넣는다.



6. 그림과 같이 BOX를 닫고 OPP Tape를 바른 후 보라색 화살표와 같이 밴딩을 2곳 처리한다.