

4

3

2

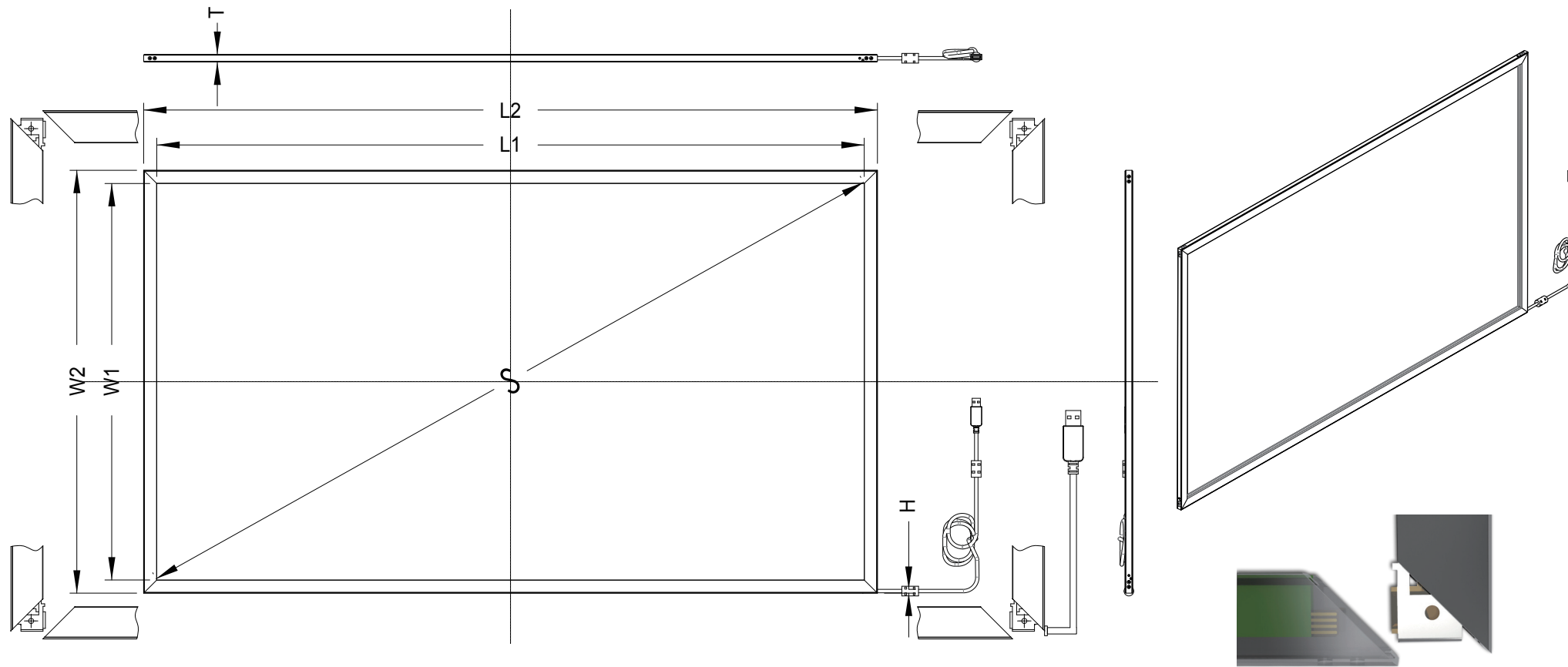
1

A

B

C

D



S(Inch)	32
W1	395.3
W2	433.3±0.2
L1	702.1
L2	740.1±0.2
H	1.5
T	11



Anti-Sunlight, No Blind Zone For Any Size



X Slim Series

Material:	plastic	Unit:	mm	Date:		Rev:	1.0
Draft by:		Approved by:					

4

3

2

1