

4

3

2

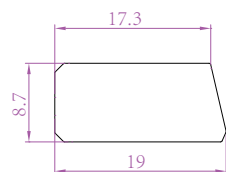
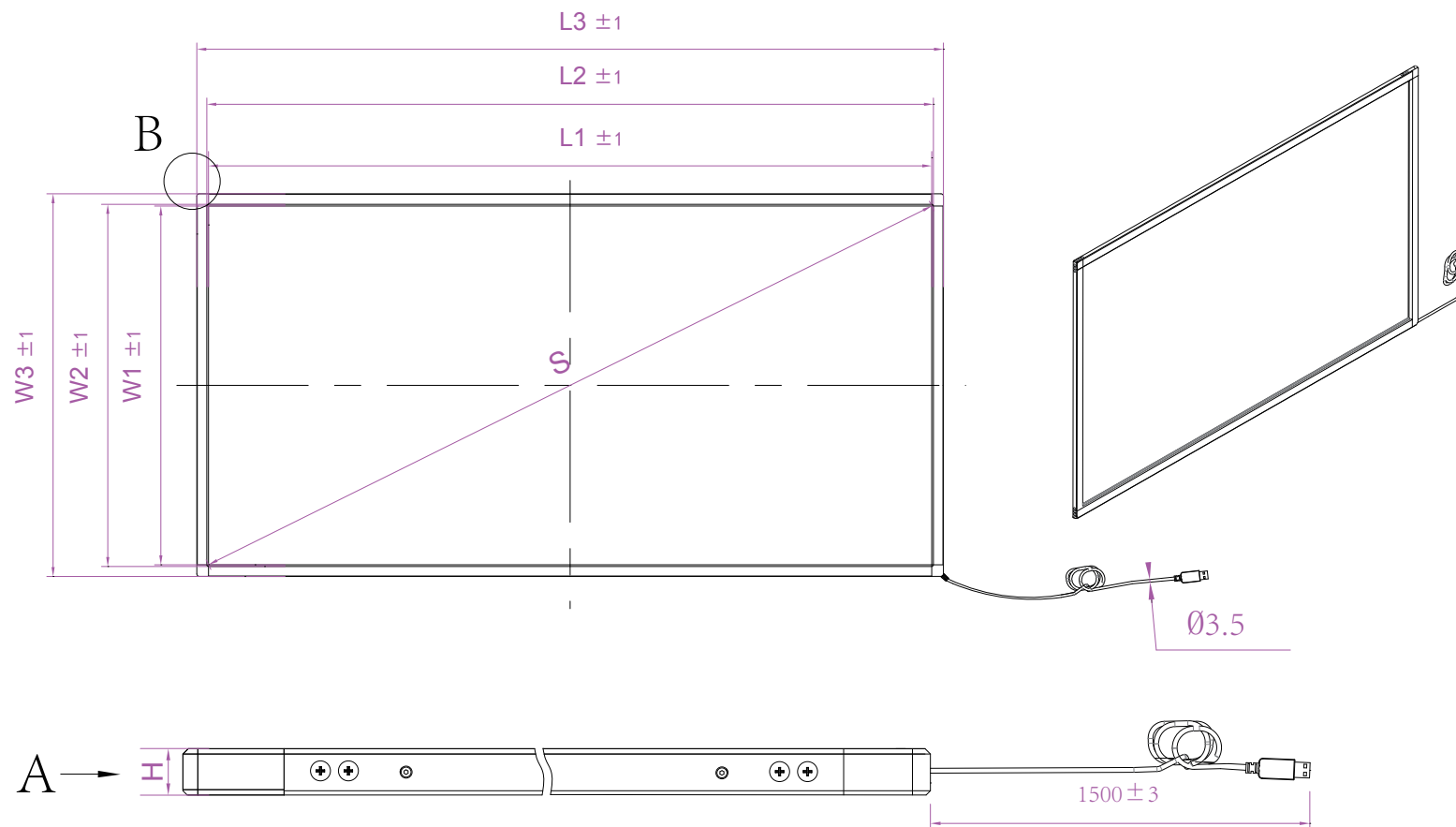
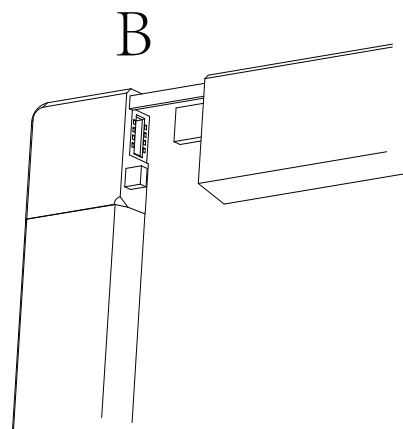
1

A

B

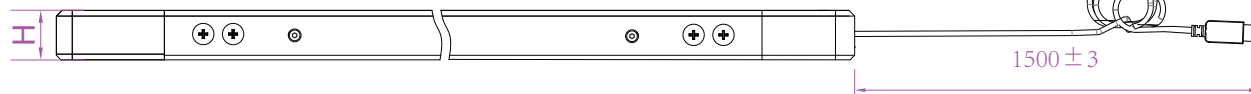
C

D



A

A



S(Inch/mm)	24.20"/614.60
W1	307.8 ± 1
W2	311.2 ± 1
W3	345.8 ± 1
L1	532 ± 1
L2	535.4 ± 1
L3	570 ± 1
H	8.7 ± 0.2



Anti-Sunlight, No Blind Zone For Any Size



X Slim Series

Material:	plastic	Unit:	mm	Date:		Rev:	1.0
Draft by:				Approved by:			

4

3

2

1