

4

3

2

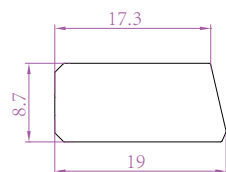
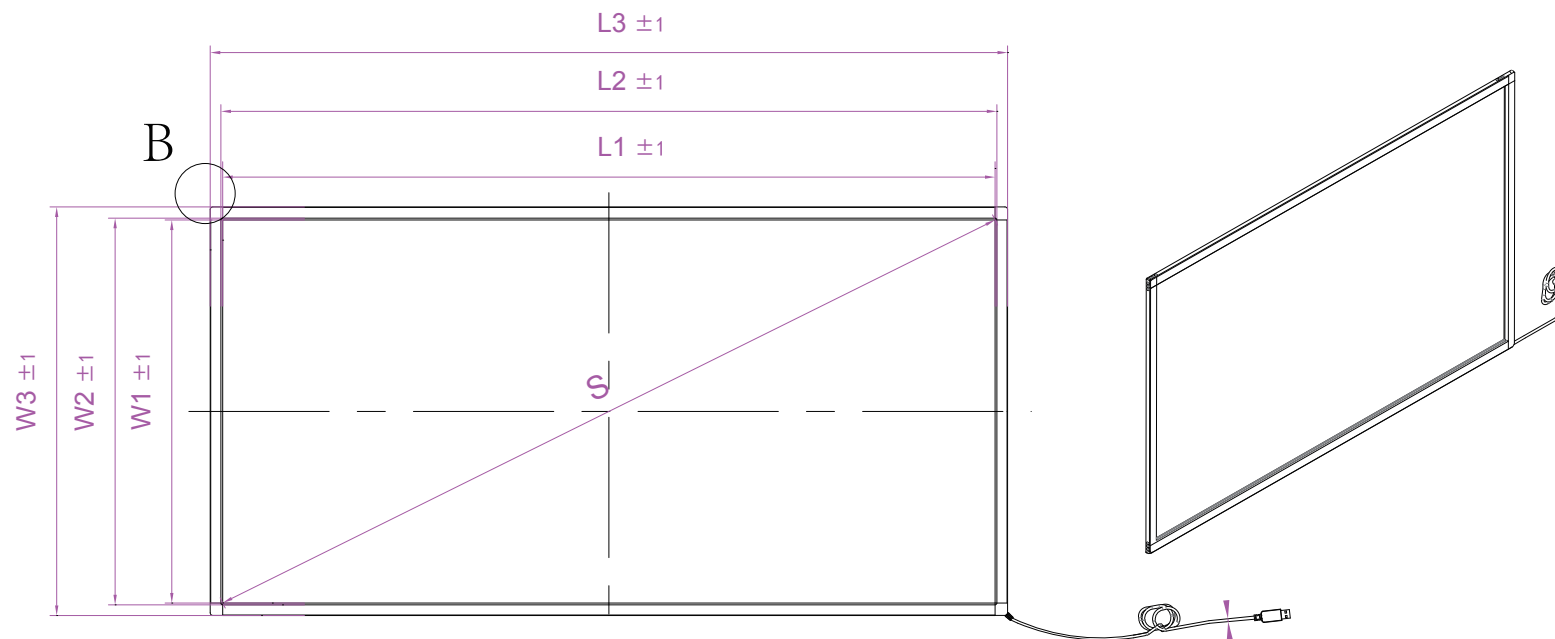
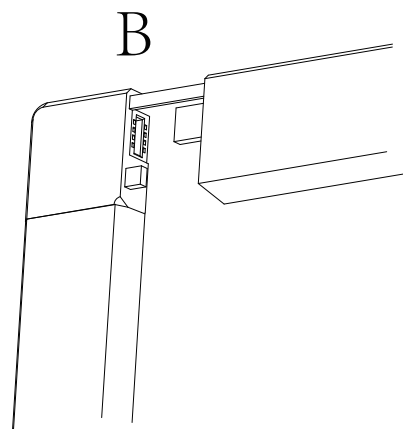
1

A

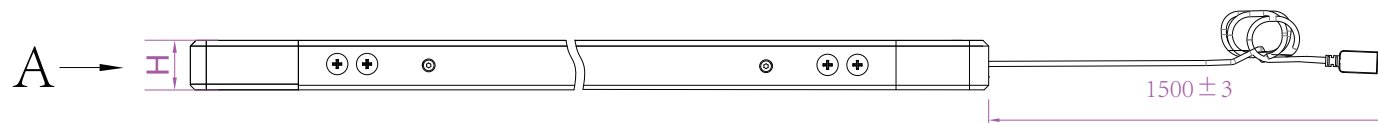
B

C

D



A



S(Inch/mm)	27.19"/690.75
W1	337.3 ± 1
W2	340.7 ± 1
W3	375.3 ± 1
L1	602.8 ± 1
L2	606.2 ± 1
L3	640.8 ± 1
H	8.7 ± 0.2



Anti-Sunlight, No Blind Zone For Any Size



X Slim Series							
Material:	plastic	Unit:	mm	Date:		Rev:	1.0
Draft by:		Approved by:					

4

3

2

1