

4

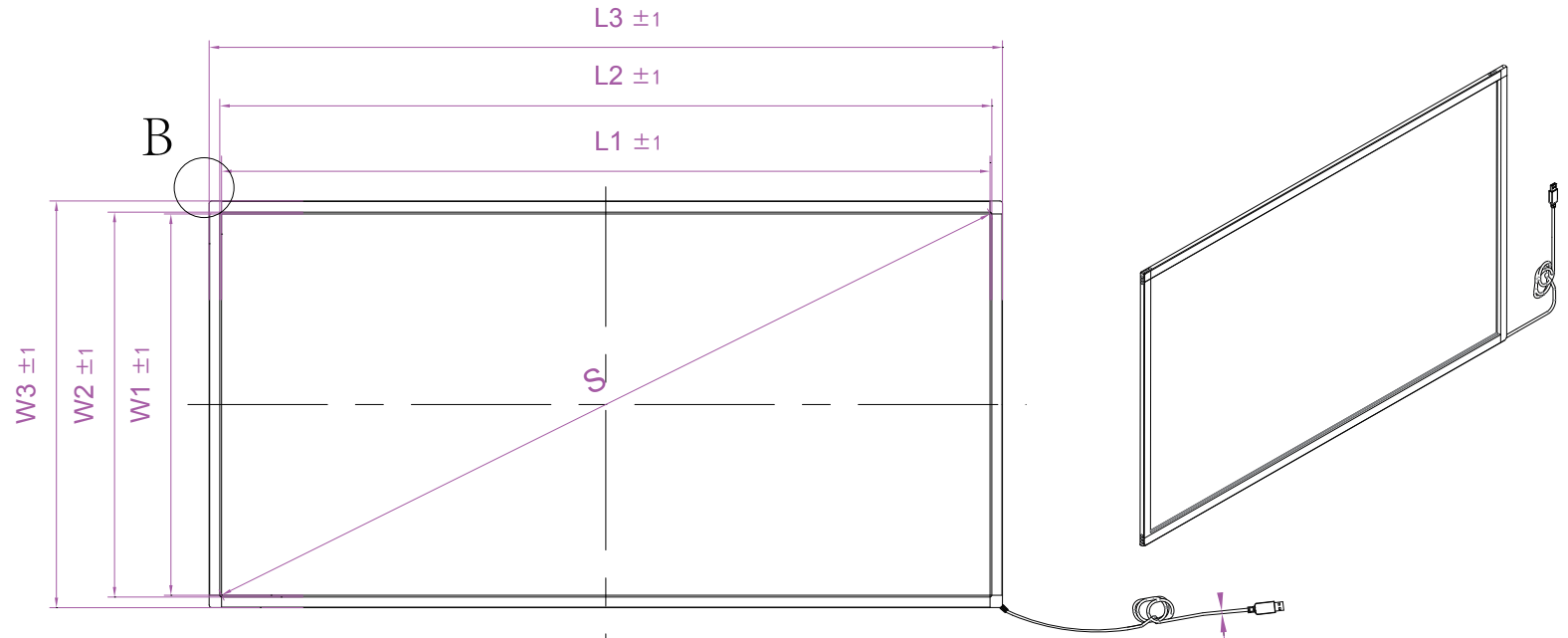
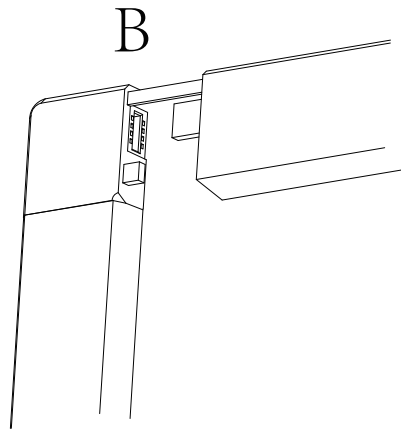
3

2

1

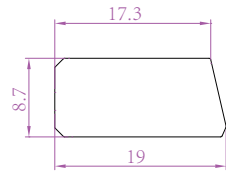
A

A

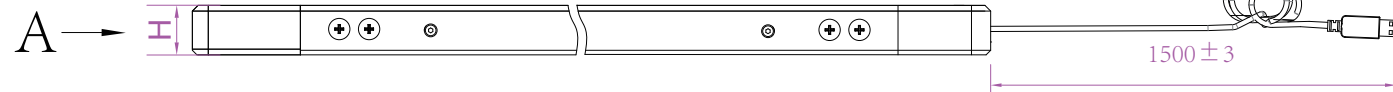


B

B



A



C

C

D

D

S(Inch/mm)	31.75"/806.66
W1	396.3 ± 1
W2	399.7 ± 1
W3	434.3 ± 1
L1	703.1 ± 1
L2	706.5 ± 1
L3	741.1 ± 1
H	8.7 ± 0.2



Anti-Sunlight, No Blind Zone For Any Size



X Slim Series

Material:	plastic	Unit:	mm	Date:		Rev:	1.0
Draft by:				Approved by:			

4

3

2

1