

4

3

2

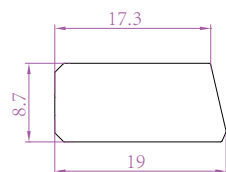
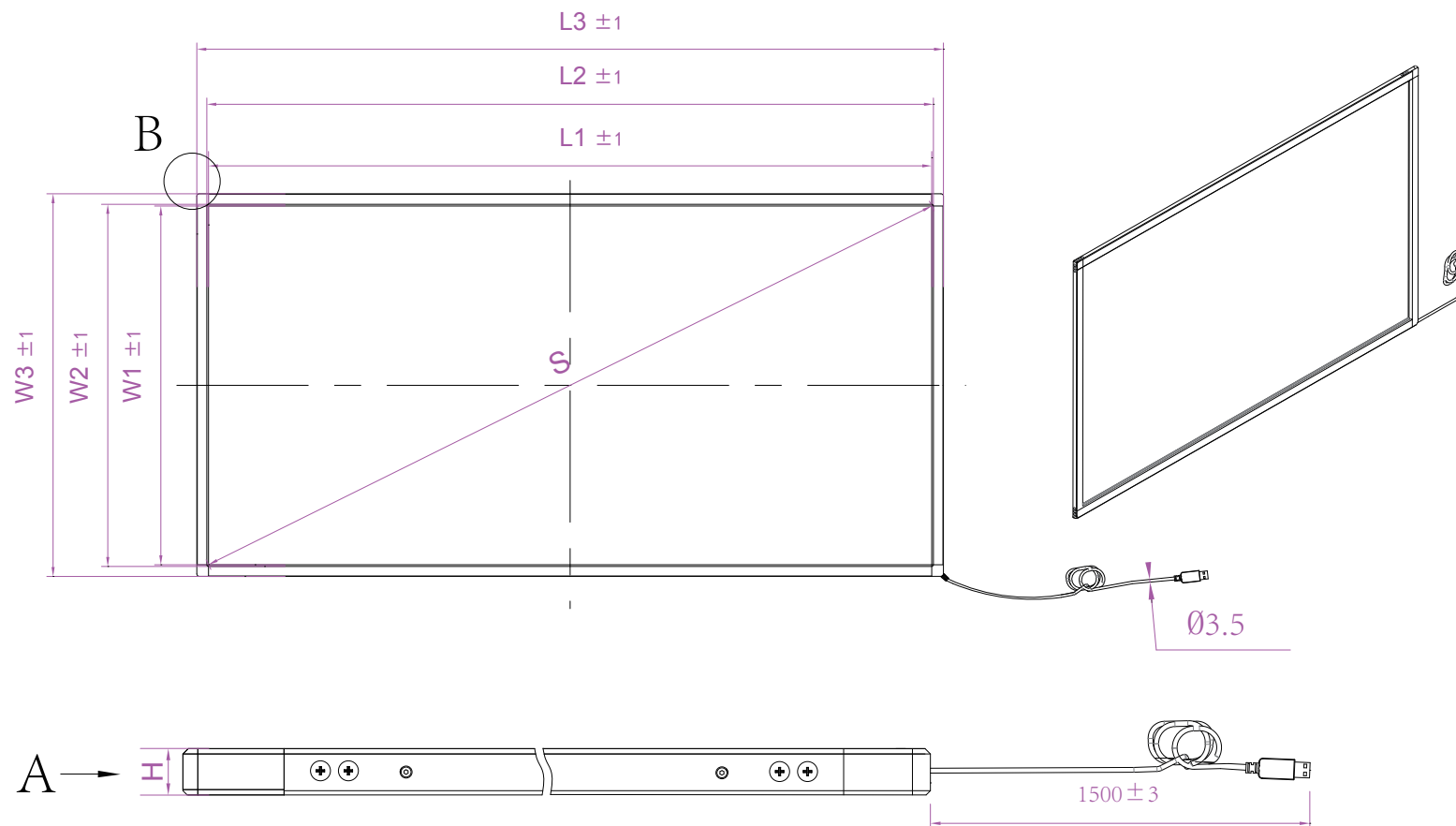
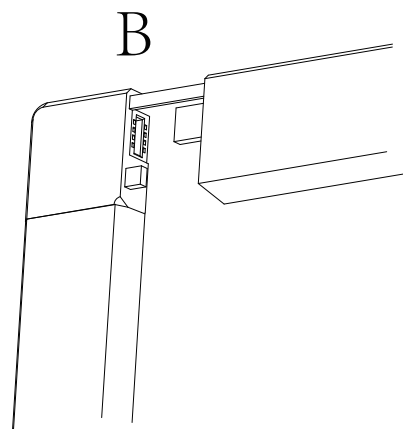
1

A

B

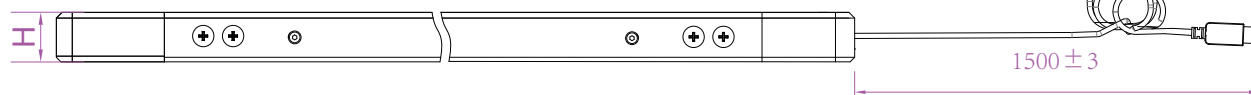
C

D



A

A



S(Inch/mm)	42.17"/1071.28
W1	526.1 ± 1
W2	529.5 ± 1
W3	564.1 ± 1
L1	933.2 ± 1
L2	936.6 ± 1
L3	971.2 ± 1
H	8.7 ± 0.2



Anti-Sunlight, No Blind Zone For Any Size



X Slim Series

Material:	plastic	Unit:	mm	Date:		Rev:	1.0
Draft by:		Approved by:					

4

3

2

1