

4

3

2

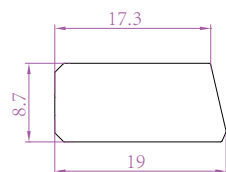
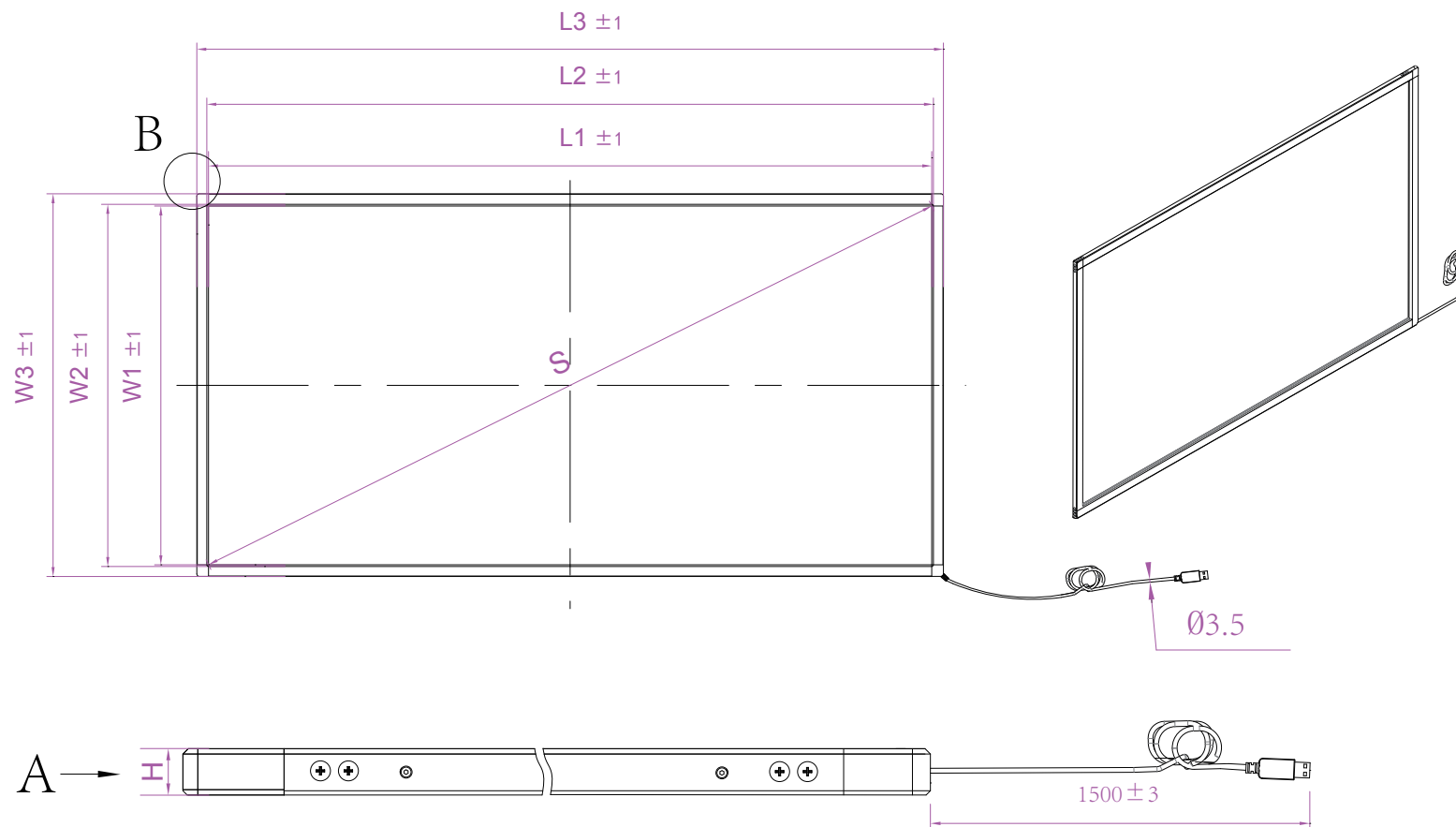
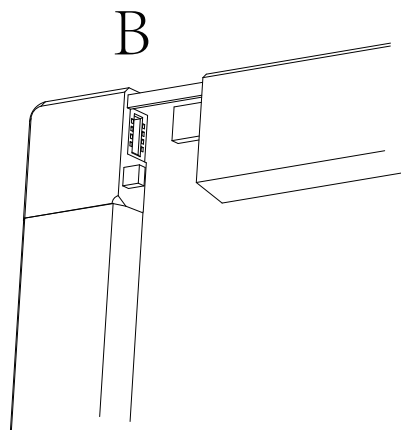
1

A

B

C

D



A

S(Inch/mm)	52.26"/1327.43
W1	650 ± 1
W2	653.4 ± 1
W3	688 ± 1
L1	1157.4 ± 1
L2	1160.8 ± 1
L3	1195.4 ± 1
H	8.7 ± 0.2



Anti-Sunlight, No Blind Zone For Any Size



X Slim Series							
Material:	plastic	Unit:	mm	Date:		Rev:	1.0
Draft by:				Approved by:			

4

3

2

1